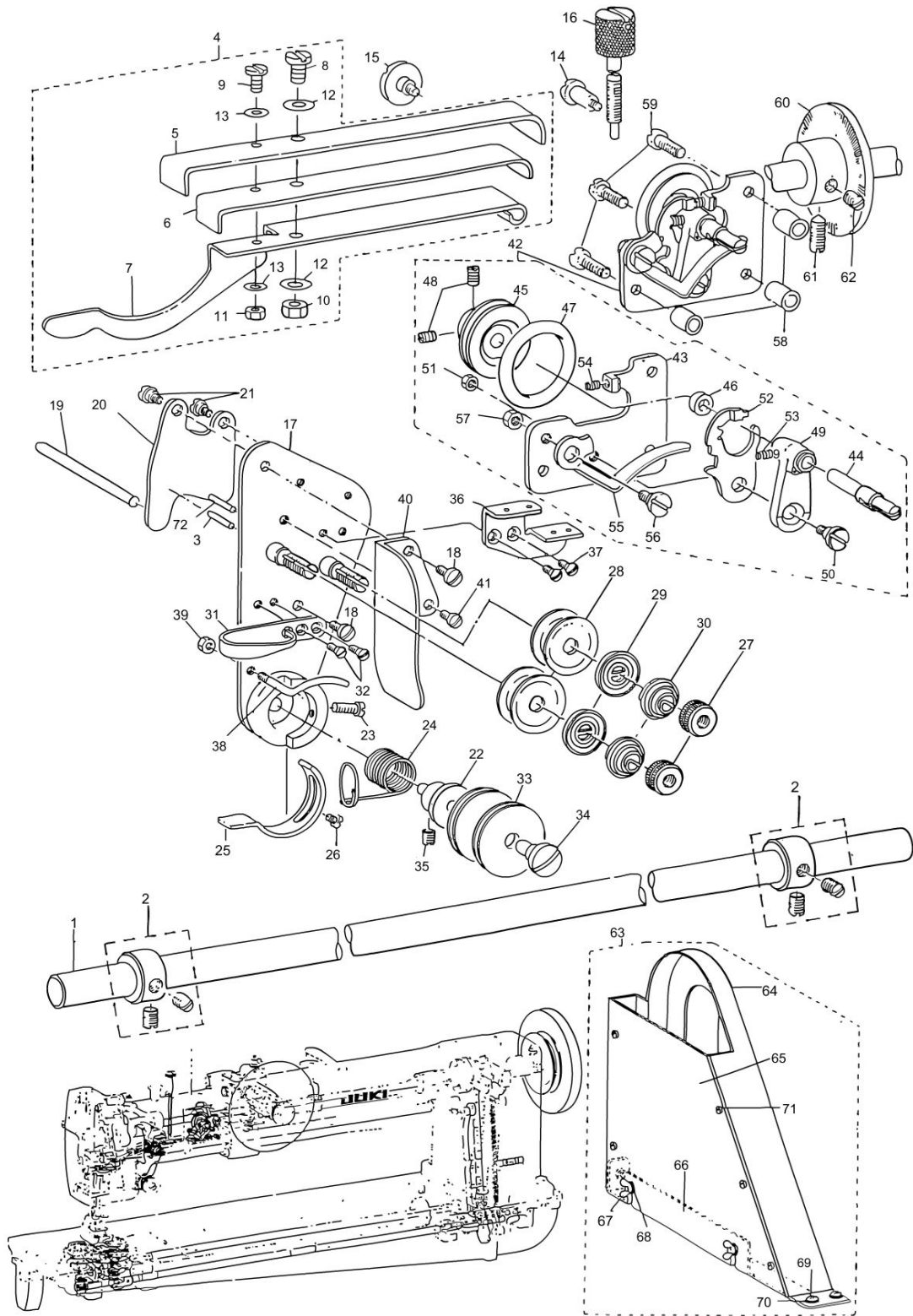


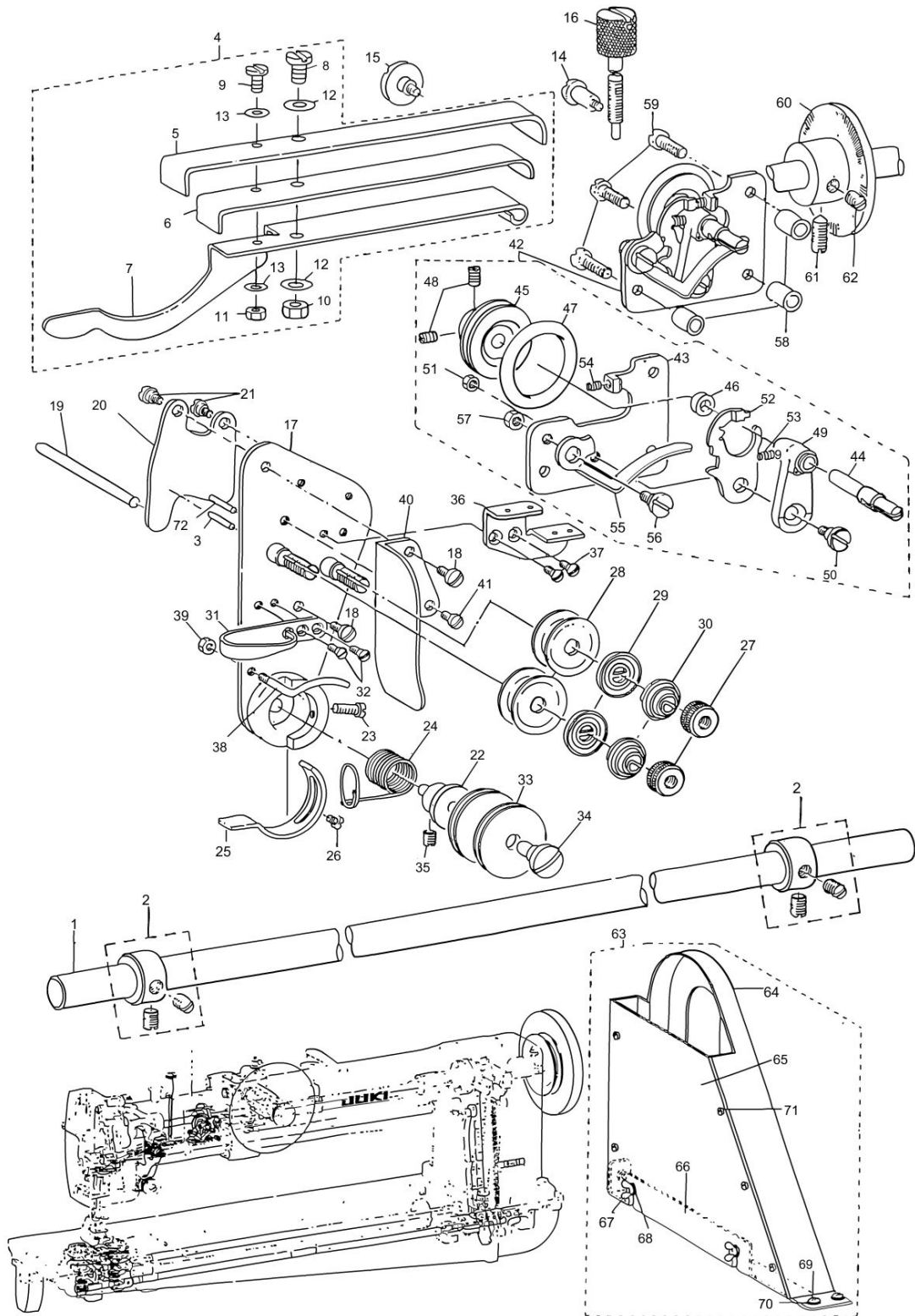
THREAD TENSION & THREAD WINDER COMPONENTS



THREAD TENSION & THREAD WINDER COMPONENTS

No.	Supply Code	Parts No.	Replacement	Parts name	Remarks	Choice	Step	Level	Cons	Qty	Rep. QTY
1		B1601158000		FEED ROCK SHAFT						1	
2		CS140101BSP		THRUST COLLAR ASM.						2	
3		B312715800B		THREAD RELEASE PIN B						1	
4		B15051580A0		ADJUSTING PLATE SPRING ASM.						1	
5	R	B150515800A	B15051580A0	PRESSER ADJUSTING PLATE SPRING				*		1	1.00
6	R	B150515800B	B15051580A0	PRESSER ADJUSTING PLATE SPRING				*		1	1.00
7	R	B150515800C	B15051580A0	PRESSER ADJUSTING PLATE SPRING				*		1	1.00
8		SS6151440SP		SCREW 15/64-28L=14				*		1	
9		SS6081010TP		SCREW 1/8-44 L=10				*		1	
10		NS6150430SP		NUT 15/64-28				*		1	
11		NS6080210SP		NUT 1/8-44				*		1	
12		WP0621026SP		WASHER 6.2X9.5X1				*		2	
13	R	WP0350516SD	WP0320500SD	WASHER 3.5X6X0.5				*		2	1.00
14		SD0801601SP		HINGE SCREW D= 8 H=16						1	
15		SD0800481SP		HINGE SCREW D= 8 H= 4.9						1	
16		B15071580A0		PRESSURE BAR FLAT SPRING ASM.						1	
17		B31210570B0		THREAD TENSION BASE PLATE ASM.						1	
18	R	SS7110910SP	SS7110910TP	SCREW 11/64-40 L=8.5						2	1.00
19		B3122057000		TENSION RELEASE BAR						1	
20		B3134057000		TENSION RELEASE LEVER						1	
21		SD0470281SP		HINGE SCREW D=4.7 H=2.8						2	
22		B3123057000		TAKE-UP SPRING STUD						1	
23		SS7111110TP		SCREW 11/64-40 L=10.5						1	
24		B3128057B00		TAKE-UP SPRING						1	
25		B3143057000		TAKE-UP SPRING ADJUSTING PLATE						1	
26	R	SS7090520SP	SS7090520TP	SCREW 9/64-40L=4.5						1	1.00
27	R	B3125012000	22928808	THREAD TENSION NUT						2	1.00
28	R	B3126012000	22921506	THREAD TENSION DISK						4	1.00
29		B3132012000		TENSION DISC HOLDER						2	
30		B3129053000		TENSION SPRING						2	
31		B3140057000		TENSION THREAD GUIDE						1	
32		SS2090520SL		SCREW 9/64-40 L=5						2	
33		B3138057000		THREAD GUIDE ROLLER						2	
34		B3139057000		THREAD GUIDE ROLLER STUD						1	
35		SS8090410SP		SCREW 9/64-40L=3.5						1	
36		B3141057000		THREAD GUIDE PLATE						1	
37		SS2090510SP		SCREW 9/64-40 L=5						2	
38		B3131057000		L-SHAPED THREAD GUIDE						1	
39		NS6080210SP		NUT 1/8-44						1	
40		B3144057000		THREAD COVER						1	
41	R	SS7090520SP	SS7090520TP	SCREW 9/64-40L=4.5						1	1.00
42		B32011580A0		THREAD WINDER ASM.						1	
43	D	B3201158000		THREAD WINDER BASE				*		1	
44		B3202158000A		THREAD WIDING SHAFT				*		1	

THREAD TENSION & THREAD WINDER COMPONENTS



THREAD TENSION & THREAD WINDER COMPONENTS

No.	Supply Code	Parts No.	Replacement	Parts name	Remarks	Choice	Step	Level	Cons	Qty	Rep. QTY
45		B3211210000		BOBBIN WINDER WHEEL				*		1	
46		B3207158000A		THREAD WIDING SHAFT COLLAR				*		1	
47		B3212210000		FRICITION WHEEL				*		1	
48	R	SS8110510SP	SS8110520TP	SCREW 11/64-40 L=5				*		2	1.00
49		B3204232000		BOBBIN WINDER FRAME				*		1	
50		B3205232000		HINGE SCREW,				*		1	
51		NS6110310SP		NUT 11/64-40				*		1	
52		B3206232000		BOBBIN WINDER TE- NSION BRACKET				*		1	
53		B3208232000		SPRING				*		1	
54		A3222958000		BOBBIN WINDER SPRING, LONG				*		1	
55		B3210158000		BOBBIN PRESSER				*		1	
56		SD0720193SP		HINGE SCREW D= 7.24 H= 1.9				*		1	
57		NS6110310SP		NUT 11/64-40				*		1	
58		B3203158000		WASHER						3	
59	R	SS7111810SP	SS7111810TP	SCREW 11/64-40 L=18						3	1.00
60		B3215232000		BOBBIN WINDER FRICTION WHEEL						1	
61	R	SS8151150SP	SS8151150TP	SCREW 15/64-28 L=10.5						1	1.00
62	R	SS8150710SP	SS8150710TP	SCREW 15/64-28 L=7						1	1.00
63		B82301580A0		BELT COVER ASM.						1	
64		B8230158000		BELT COVER				*		1	
65		B8231158000		BELT COVER SIDE PLATE				*		1	
66		B8232158000		AUXILIARY PLATE				*		1	
67		B8233158000		WING SCREW				*		3	
68		WP0501016SC		WASHER 5X10.5X1				*		3	
69	R	SK3482500SC	SK3482501SE	WOOD SCREW D=4.8 L=25				*		5	1.00
70		WP0501016SC		WASHER 5X10.5X1				*		5	
71		SS7110510SP		SCREW 11/64-40 L=5				*		5	
72		B312715800A		THREAD RELEASE PIN A						1	