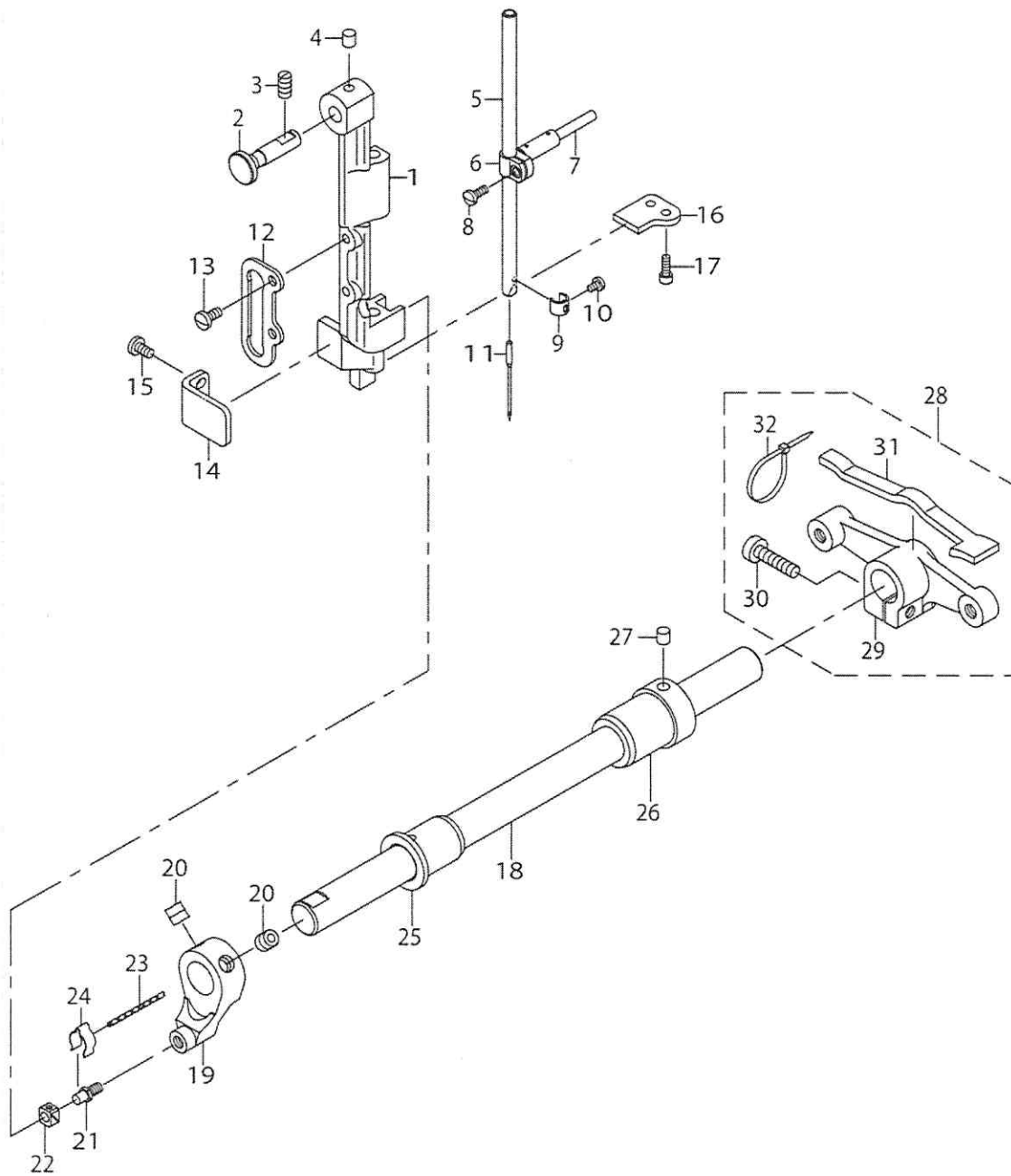


NEEDLE BAR ROCKING COMPONENTS



NEEDLE BAR ROCKING COMPONENTS

No.	Supply Code	Parts No.	Replacement	Parts name	Remarks	Choice	Step	Level	Cons	Qty	Rep. QTY
1		B1420563000		NEEDLE BAR FRAME						1	
2		21405204		HINGE STUD						1	
3		SS8151150TP		SCREW 15/64-28 L=10.5						1	
4		22814909		FELT						1	
5		B1401053000		NEEDLE BAR						1	
6	D	B1411053000		NEEDLE BAR CONNECTION						1	
7		B1412051000		FELT						1	
8	R	SS7090910SP	SS7090910TP	SCREW 9/64-40L=8.5						1	1.00
9		10308609		THREAD GUARD						1	
10		SS7080510TP		SCREW 1/8-44 L=4.5						1	
11		M1351731600		NEEDLE 135X17 #160						1	
12		B1467563000		UPPER FEED BAR GUIDE						1	
13		SS7110910TP		SCREW 11/64-40 L= 8.5						2	
14		21388400		ROCKING BASE GUIDE						1	
15		SS7110830SP		SCREW 11/64-40 L= 7.5						2	
16		21338603		ROCKING BASE GUIDE (B)						1	
17		SS6091022TP		SCREW						2	
18		21338900		ROCKING SHAFT						1	
19		21338801		ROCKINGFRONTARM						1	
20		SM8080802TP		SCREW						2	
21		B1410771000		STUD						1	
22		B1414232000		SQUARE BLOCK						1	
23		CQ202000000		OIL WICK						.05	
24		B1437051000		OIL WICK RETAINER						1	
25		21339304		ROCKING SHAFT FRONT METAL						1	
26		40027746		BUSHING REAR						1	
27		22814909		FELT						1	
28		21339056		ROCKING REAR ARM ASM.						1	
29		21339007		ROCKING REAR ARM				*		1	
30		SS6152440SP		SCREW 15/64-28 L=23.5				*		1	
31		21347406		ROCKING REAR ARM FELT				*		1	
32		EA9500B0100		CABLE BAND				*		2	